

SAFETY INSTRUCTIONS

Remove all parts from packaging and check against the parts list.

Do not discard any packaging until you are sure you have all parts and the pack of fittings.

Care should be taken that no screws or other fittings are loose so your child can trap parts of the body or clothing.

Do not use the high chair unless all components are correctly fitted and adjusted

Keep children at a safe distance when assembling.

Do not use on an uneven surface.

WARNING! Falling hazard: Prevent your child from climbing on the product.

WARNING! Ensure that the product is kept away from strong heat sources such as an electrical bar, gas and open fires.

Do not to use the high chair until the child can sit up unaided.

WARNING! Make sure that any harness is correctly fitted.

WARNING! Do not use the high chair unless all components are correctly fitted and adjusted.

WARNING! Do not leave the child unattended.

WARNING! Be aware of the risk of tilting when your child can push its feet against a table or any other structure

WARNING! Product is intended for children able to sit up unaided and up to 3 years or a maximum weight of 15 kg.

WARNING! Never leave the child unattended.



Check regularly to ensure that all the components are secure and retighten as necessary.
Do not use if any part is broken, torn or missing.

Store in a dry ventilated place when not in use.

Only parts supplied by Troll Nursery should be used.

The correct use and maintenance of you product will ensure it gives long and trouble free use. When somebody is using your product, ensure they also know how to use it.

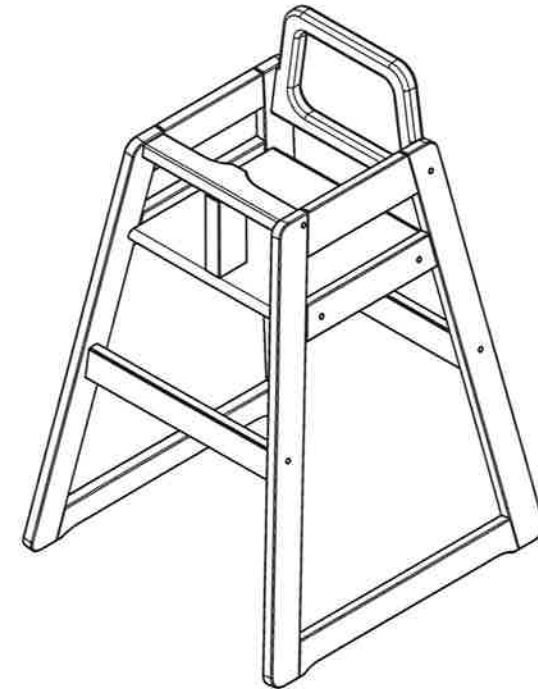
The safety of your child is your responsibility.

To clean use a damp cloth, avoiding the use of strong detergents or abrasives.

Not let the tray be wet or dirty without cleaning it after use.

TROLL NURSERY

HIGHCHAIR RATTAN



IMPORTANT!
KEEP FOR FUTURE REFERENCE
READ CAREFULLY

The illustrations in these instructions are to be used as a guide only
Conforms to EN 14988:2017
Made in Latvia - Sia "Troll Smiltene", Rigas 18, Smiltene, LV-4729, Latvia

CUSTOMER ENQUIRIES

www.troll.lv

TROLL

TROLL

FITTINGS LIST



X 13



X 12



m6x50mm X 10



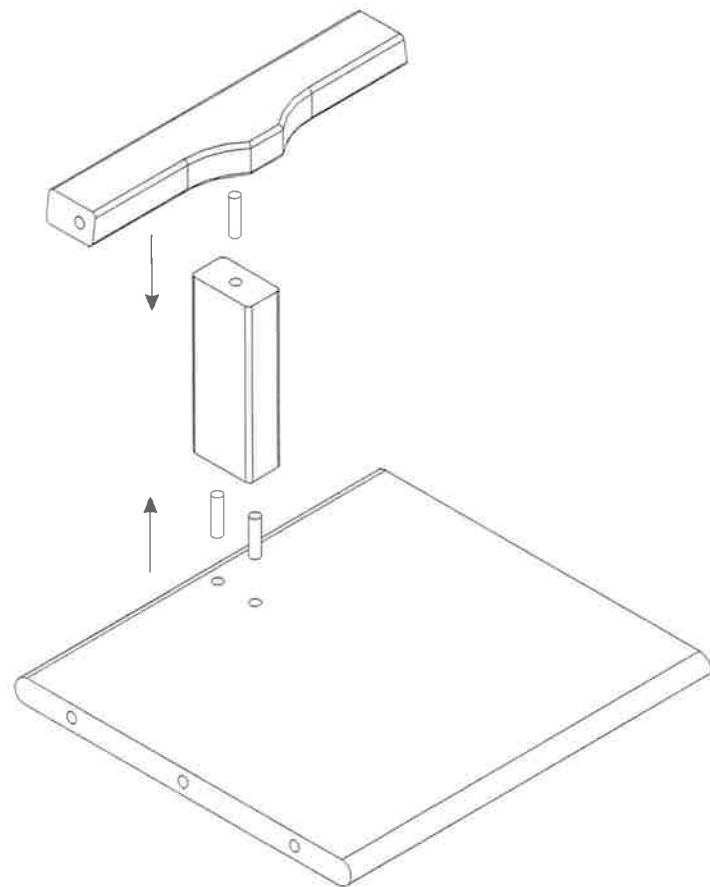
m6x45mm X 2



X 1

ASSEMBLING

1

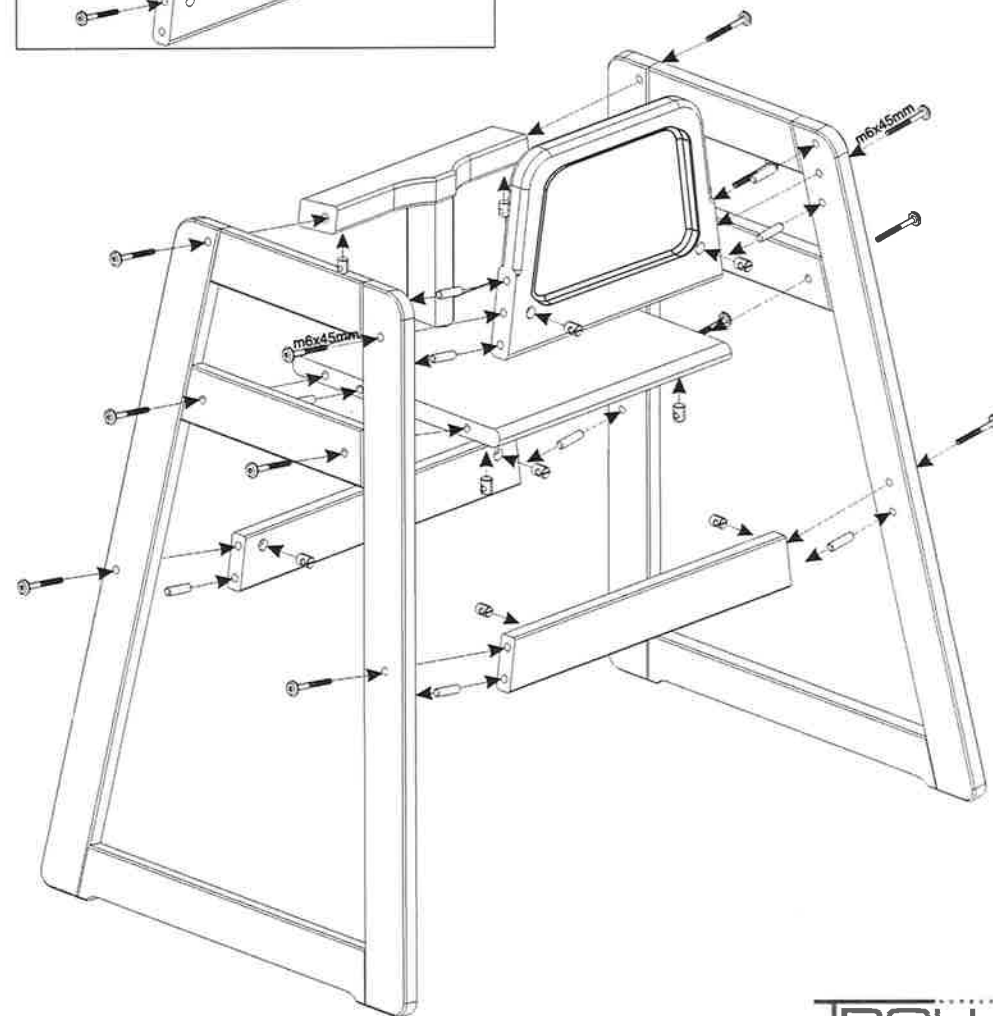
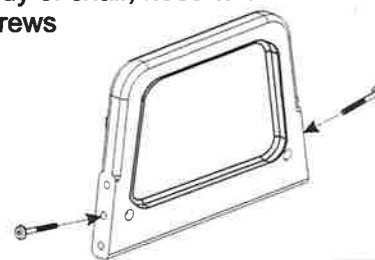


TROLL

ASSEMBLING

2

Please note! To assemble backrest to body of chair, need to use 45mm screws



TROLL